

Revision Notes.				
R1 -				
APA: -	Drawn: -	Checked:-	Approved:-	Date: -

CHANGES FROM BASE PRODUCT UDS-001DP (3749) TO UDS-001DP(TA) (5633)

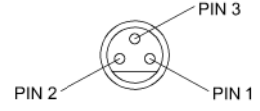
CHANGE:

1. REDUCED NUMBER OF BEEPS BY HALF OF THAT OF THE BASE PRODUCT.
2. UDS-001DP CBL-LBL REPLACED WITH UDS-001DP(TA) CBL-LBL.

OPERATION:

1. SLOWER BEEP TONE FROM DISPLAY BUZZER.
2. ADDED MUTE FUNCTION

VIEW A



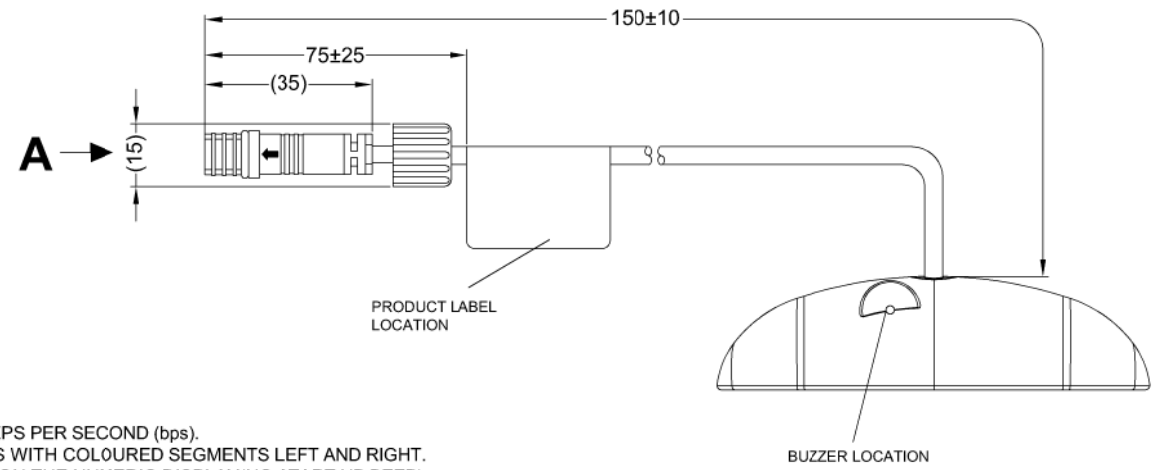
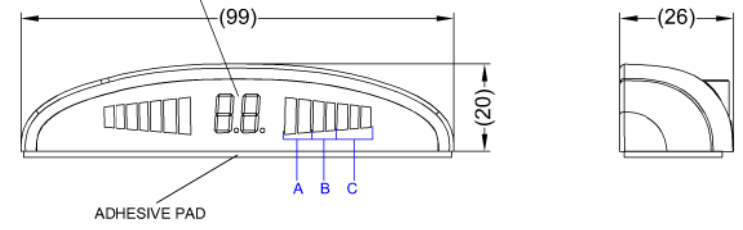
3 PIN FEMALE MATING FACE

PIN #	WIRE COLOUR	DESCRIPTION
1	BLACK	GND
2	RED	BUZZER PWR
3	WHITE	BUZZER SIGNAL

DISPLAY PROPERTIES

SEGMENT	COLOUR	DETECTION ZONE	AUDIO	ILLUMINATED ON DETECTION
A	RED	INNER	CONSTANT TONE	A,B,C
B	AMBER	MIDDLE	2 bps	B,C
C	GREEN	OUTER	0.5 bps	C

NUMERICAL DISPLAY (7 SEGMENT DIGITS)



NOTES:

1. SOFTWARE VERSION: DIC-30017-10-1
2. ALL AUDIBLE WARNINGS ARE MEASURED IN BEEPS PER SECOND (bps).
3. VISUAL WARNING IS NUMERICAL AND IN METRES WITH COLOURED SEGMENTS LEFT AND RIGHT.
4. POWER ON IS INDICATED BY TWO DASHES (- -) ON THE NUMERIC DISPLAY(NO START UP BEEP).
5. IT IS NOT POSSIBLE TO DISABLE AUDIBLE BUZZER.
6. BUZZER VOLUME IS FIXED AT 76±5dB @ 30CM.
7. SELF ADHESIVE PAD IS STUCK ON THE BOTTOM FOR FIXING TO SMOOTH SURFACE.
8. BLACK TEXTURED POLY CARBONATE PLASTIC.
9. FOR PACKAGING AND LABELING REFER TO MASTER BILL OF MATERIALS.

PROPRIETARY NOTICE

THIS DESIGN AND TECHNICAL INFORMATION APPEARING ON THIS DRAWING IS THE PROPERTY OF BRIGADE ELECTRONICS, AND IS DISCLOSED IN CONFIDENCE. IT IS NOT TO BE COPIED, REPRODUCED, REVEALED TO OR EXPROPRIATED BY OTHERS, EITHER IN WHOLE OR IN PART WITHOUT THE EXPRESS WRITTEN CONSENT OF BRIGADE ELECTRONICS.



Assembly PI Approval A.YAO 26/09/2018	Approved by B.CHILDS	Checked by J.TYRRELL	Drawn by W.SINDEN
Angle of Projection 	Units mm	Scale N/A	Released 00/00/00
Status RELEASED	Assembly Ref - UDS-001DP(TA)		
Part No 5633	BE-003891-00-18		